

Part number:

63903-0303

Copyright

© 2013, FLIR Systems, Inc.

All rights reserved worldwide. Names and marks appearing herein are either registered trademarks or trademarks of FLIR Systems and/or its subsidiaries. All other trademarks, trade names or company names referenced herein are used for identification only and are the property of their respective owners.

October 11, 2013, 03:09 AM

Corporate Headquarters

FLIR Systems, Inc.
27700 SW Parkway Ave.
Wilsonville, OR 97070
USA
Telephone: +1-503-498-3547

Website

<http://www.flir.com>

Customer support

<http://support.flir.com>

Legal disclaimer

Specifications subject to change without further notice. Camera models and accessories subject to regional market considerations. License procedures may apply.

Information and equipment described herein may require US Government authorization for export purposes. Diversion contrary to US law is prohibited.



Imaging and optical data

IR resolution	320 × 240 pixels
MSX resolution	320 × 240 pixels
Thermal sensitivity/NETD	<0.06°C (0.11°F) / <60 mK
Field of view (FOV)	45° × 34°
Minimum focus distance	0.5 m (1.6 ft.)
Spatial resolution (IFOV)	2.6 mrad
Image frequency	9 Hz
Focus	Focus free

Detector data

Detector type	Focal plane array (FPA), uncooled microbolometer
Spectral range	7.5–13 μm

Image presentation

Display	3.0 in. 320 x 240 color LCD
Image adjustment	Automatic adjust/lock image

Image presentation modes

Image modes	IR image, visual image, MSX, picture in picture, thumbnail gallery
Multi Spectral Dynamic Imaging (MSX)	IR image with enhanced detail presentation
Picture in Picture	IR area on visual image

Measurement

Object temperature range	-20°C to +250°C (-4°F to +482°F)
Accuracy	±2°C (±3.6°F) or ±2% of reading, for ambient temperature 10°C to 35°C (+50°F to 95°F) and object temperature above +0°C (+32°F)

Measurement analysis

Spotmeter	Center spot
Area	Box with max./min.
Emissivity correction	Variable from 0.1 to 1.0
Emissivity table	Emissivity table of predefined materials

P/N: 63903-0303

© 2013, FLIR Systems, Inc.
All rights reserved worldwide.

Measurement analysis

Reflected apparent temperature correction	Automatic, based on input of reflected temperature
---	--

Alarm

Color alarm	Blue below or red above set temperature
-------------	---

Set-up

Color palettes	Black and white, iron and rainbow
Set-up commands	Local adaptation of units, language, date and time formats

Storage of images

Image storage capacity	Internal memory store at least 500 sets of images
Image storage mode	Simultaneous storage of images in IR, visual and MSX
File formats	Standard JPEG, 14-bit measurement data included

Data communication interfaces

Interfaces	USB Micro: Data transfer to and from PC and Mac device
------------	--

Power system

Battery type	Rechargeable Li Ion battery
Battery voltage	3.7 V
Battery operating time	Approx. 4 hours at +25°C (+77°F) ambient temperature and typical use
Charging system	Battery is charged inside the camera or in specific charger.
Charging time	2.5 hours to 90% capacity in camera. 2 hours in charger.
Power management	Automatic shut-down
AC operation	AC adapter, 90–260 VAC input, 5 VDC output to camera

Environmental data

Operating temperature range	–15°C to +50°C (+5°F to +122°F)
Storage temperature range	–40°C to +70°C (–40°F to +158°F)
Humidity (operating and storage)	IEC 60068-2-30/24 h 95% relative humidity

EMC	<ul style="list-style-type: none"> • WEEE 2012/19/EC • RoHs 2011/65/EC • C-Tick • EN 61000-6-3 • EN 61000-6-2 • FCC 47 CFR Part 15 Class B
-----	--

Encapsulation	IP 54 (IEC 60529)
Bump	25 g (IEC 60068-2-29)
Vibration	2 g (IEC 60068-2-6)
Drop	2 m (6.6 ft.)

Physical data

Camera weight, incl. battery	0.575 kg (1.27 lb.)
Camera size (L × W × H)	244 × 95 × 140 mm (9.6 × 3.7 × 5.5 in.)
Color	Black and gray

Certifications

Certification	UL, CSA, CE, PSE and CCC
---------------	--------------------------

Shipping information

Packaging, type	Hard case
-----------------	-----------



P/N: 63903-0303

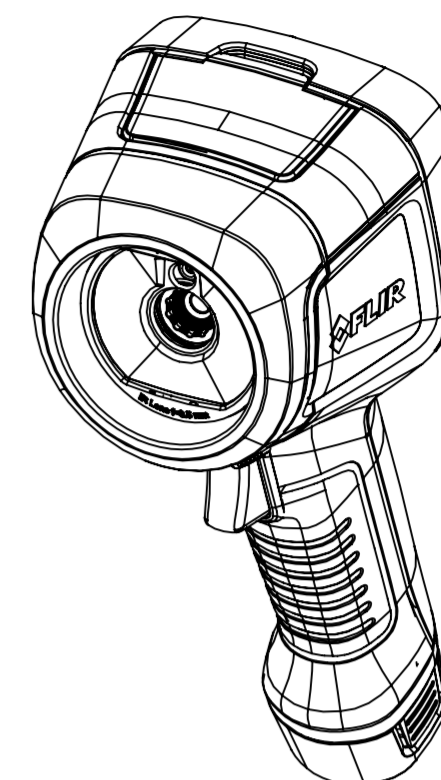
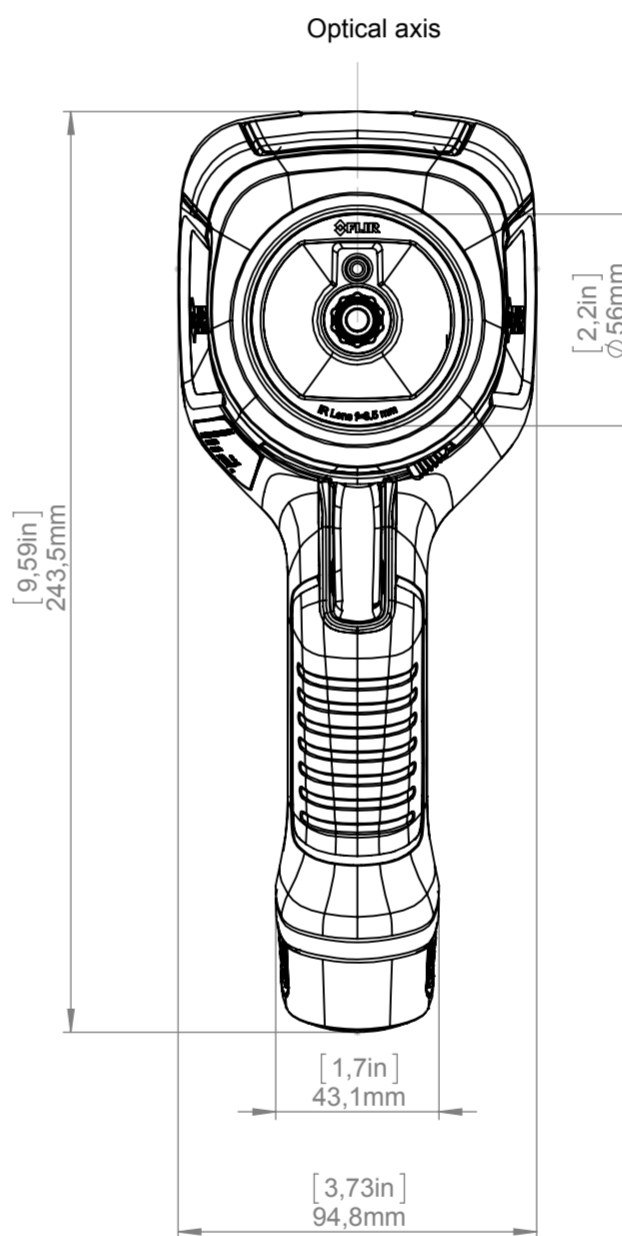
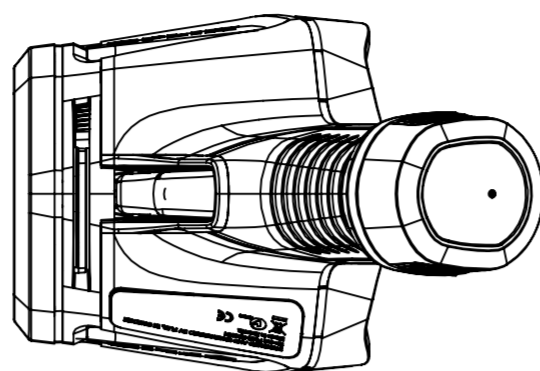
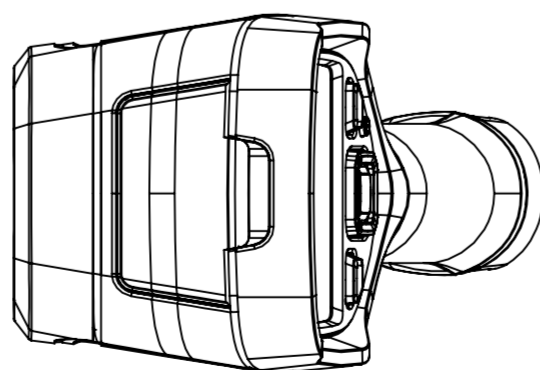
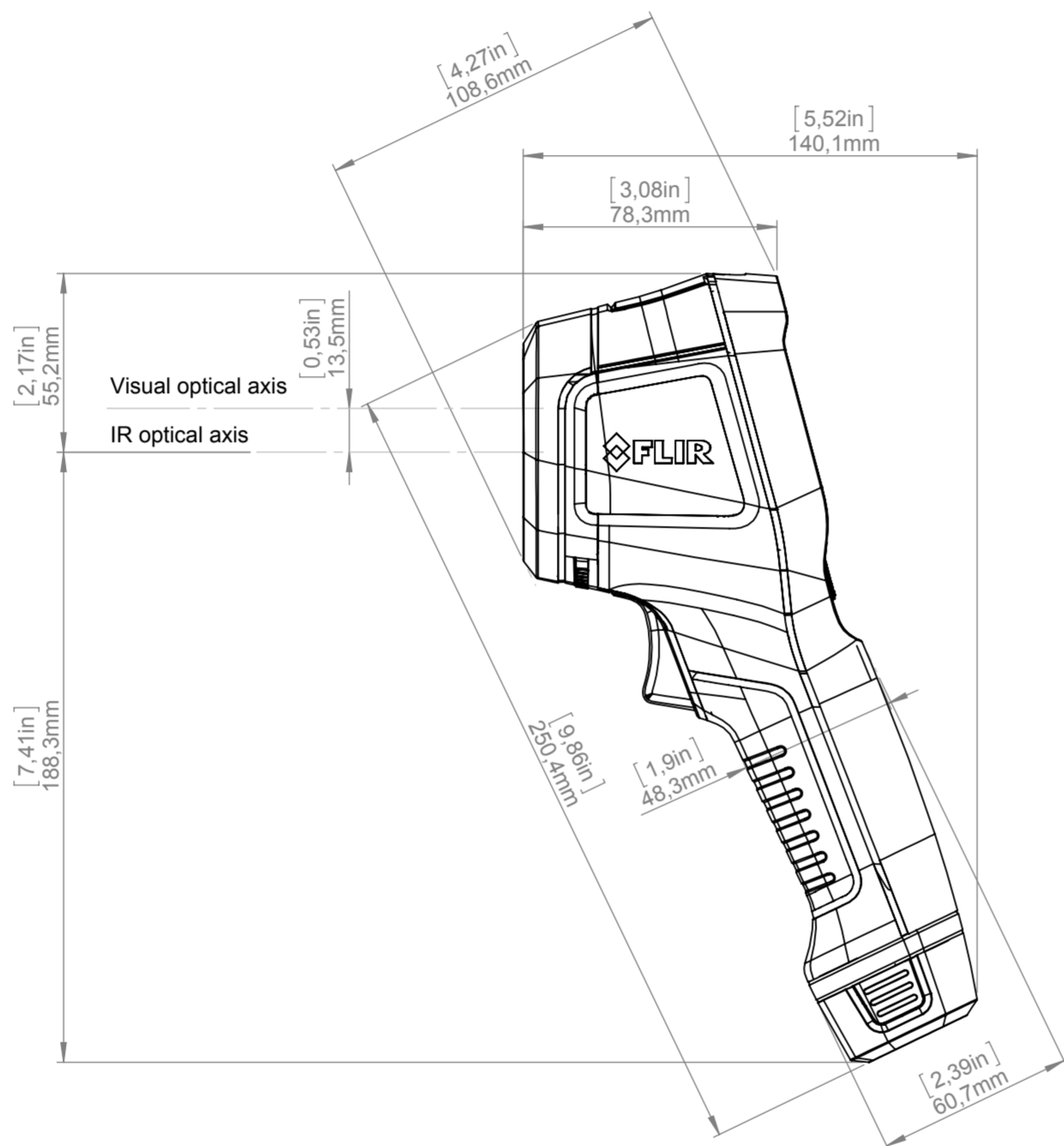
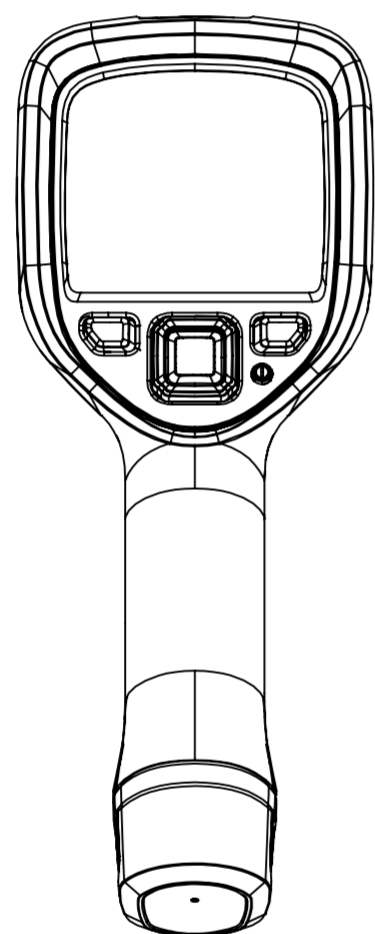
© 2013, FLIR Systems, Inc.
All rights reserved worldwide.

Shipping information

- Infrared camera
- Hard transport case
- Battery (2x)
- USB cable
- Power supply/charger with EU, UK, US and Australian plugs
- Battery charger
- User documentation CD-ROM
- Printed documentation
- FLIR Tools download card

Packaging, weight	2.95 kg (6.50 lb.)
Packaging, size	303 × 206 × 128 mm (11.9 × 8.1 × 5.0 in.)
EAN-13	4743254001015
UPC-12	845188004965
Country of origin	Estonia

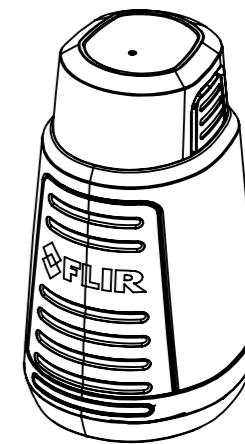
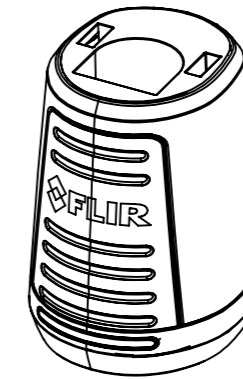
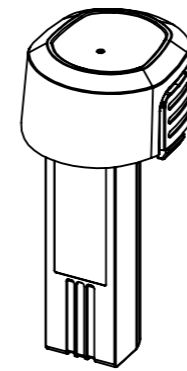
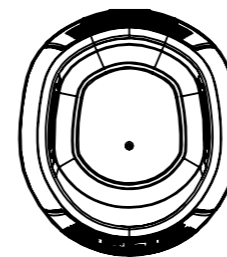
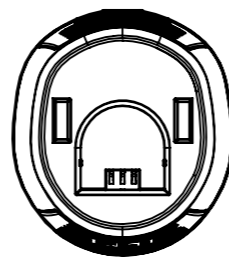
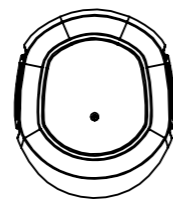
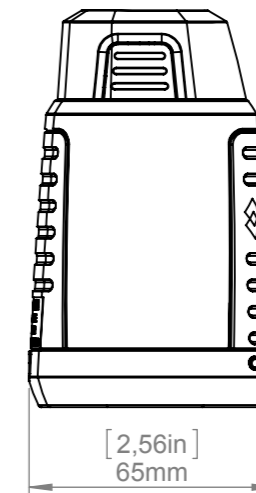
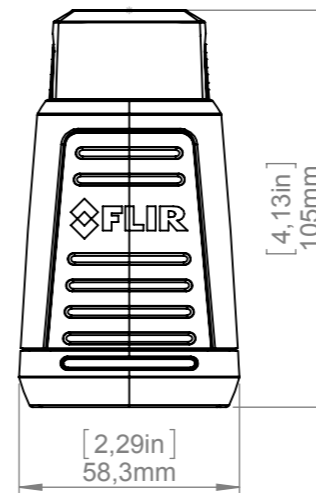
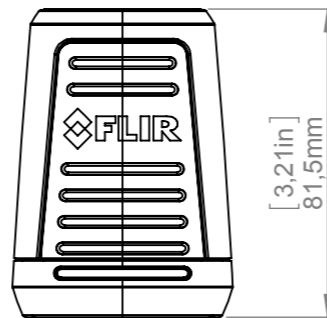
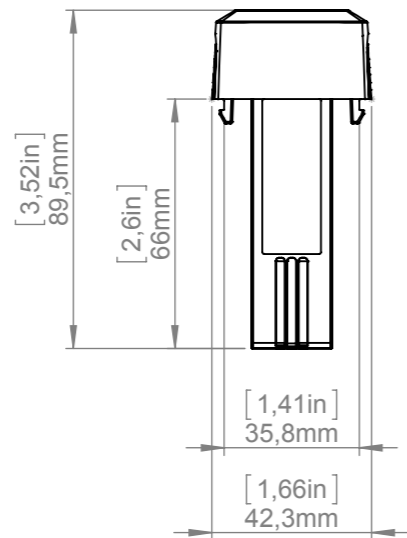
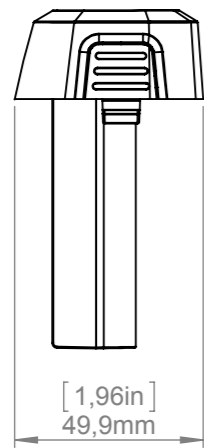
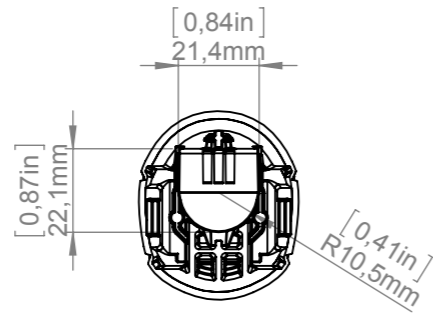
Camera with built-in IR lens f=6,5 mm (45°)



© 2012, FLIR Systems, Inc. All rights reserved worldwide. No part of this drawing may be reproduced, stored in a retrieval system, or transmitted in any form, or by any means, electronic, mechanical, photocopying, recording, or otherwise, without the prior written permission of FLIR Systems, Inc. Specifications subject to change without notice. Dimensions are based on nominal values. Products may be subject to regional market considerations. License procedures may apply. Product may be subject to US Export Regulations. Please refer to exportquestions@flir.com with any questions. Diversion contrary to US law is prohibited.

Modified 2013-03-25	Check CAHA	Drawn by R&D Thermography	
Denomination			
Basic dimensions FLIR Ex			Size A2 Scale 1:2 Drawing No. T127831 Sheet 1(2) Size A

Charger and Power pack



Modified 2013-03-25	Check CAHA	Drawn by R&D Thermography	
Denomination			
Basic dimensions FLIR Ex			

© 2012 FLIR Systems, Inc. All rights reserved worldwide. No part of this drawing may be reproduced, stored in a retrieval system, or transmitted in any form, or by any means, electronic, mechanical, photocopying, recording, or otherwise without written permission from FLIR Systems, Inc. Specifications subject to change without further notice. Dimensional data is based on nominal values. Products may be subject to regional market considerations. License procedures may apply. Product may be subject to US Export Regulations. Please refer to exportquestions@flir.com with any questions. Diversion contrary to US law is prohibited.